

3D9BL Downdraft Extractor

Manual for Installation, Use and Maintenance

CDA





Il simbolo sul prodotto o sulla confezione indica che il prodotto non deve essere considerato come un normale rifiuto domestico, ma deve essere portato nel punto di raccolta appropriato per il riciclaggio di apparecchiature elettriche ed elettroniche.

Provvedendo a smaltire questo prodotto in modo appropriato, si contribuisce a evitare potenziali conseguenze negative per l'ambiente e per la salute, che potrebbero derivare da uno smaltimento inadeguato del prodotto. Per informazioni più dettagliate sul riciclaggio di questo prodotto, contattare l'ufficio comunale, il servizio locale di smaltimento rifiuti o il negozio in cui è stato acquistato il prodotto. Questo elettrodomestico è marcato conformemente alla Direttiva Europea 2002/96/CE sui rifiuti da apparecchiature elettriche ed elettroniche (WEEE).



The symbol on the product or on its packaging indicates that this product may not be treated as household waste. Instead it shall be handed over to the applicable collection point for the recycling of electrical and electronic equipment. By ensuring this product is disposed of correctly, you will help prevent potential negative consequences for the environment and human health, which could otherwise be caused by inappropriate waste handling of this product. For more detailed information about recycling of this product, please contact your local city office, your household waste disposal service or the shop where you purchased the product. This appliance is marked according to the European directive 2002/96/EC on waste electrical and electronic equipment (WEEE).



Le symbole sur le produit ou son emballage indique que ce produit ne peut être traité comme déchet ménager. Il doit plutôt être remis au point de ramassage concerné, se chargeant du recyclage du matériel électrique et électronique. En vous assurant que ce produit est éliminé correctement, vous favorisez la prévention des conséquences négatives pour l'environnement et la santé humaine qui, sinon, seraient le résultat d'un traitement inapproprié des déchets de ce produit. Pour obtenir plus de détails sur le recyclage de ce produit, veuillez prendre contact avec le bureau municipal de votre région, votre service d'élimination des déchets ménagers ou le magasin où vous avez acheté le produit. Cet appareil est commercialisé en accord avec la directive européenne 2002/96/CE sur les déchets des équipements électriques et électroniques (WEEE).



El símbolo en el producto o en su embalaje indica que este producto no se puede tratar como desperdicios normales del hogar. Este producto se debe entregar al punto de recolección de equipos eléctricos y electrónicos para reciclaje. Al asegurarse de que este producto se desecha correctamente, usted ayudará a evitar posibles consecuencias negativas para el ambiente y la salud pública, lo cual podría ocurrir si este producto no se manipula de forma adecuada. Para obtener información más detallada sobre el reciclaje de este producto, póngase en contacto con la administración de su ciudad, con su servicio de desechos del hogar o con la tienda donde compró el producto. Este electrodoméstico está marcado conforme a la directiva Europea 2000/96/CE sobre los residuos de aparatos eléctricos y electrónicos (WEEE).



Das Symbol auf dem Produkt oder seiner Verpackung weist darauf hin, dass dieses Produkt nicht als normaler Haushaltsabfall zu behandeln ist, sondern an einem Sammelpunkt für das Recycling von elektrischen und elektronischen Geräten abgegeben werden muss. Durch Ihren Beitrag zum korrekten Entsorgen dieses Produkts schützen Sie die Umwelt und die Gesundheit Ihrer Mitmenschen. Umwelt und Gesundheit werden durch falsches Entsorgen gefährdet. Weitere Informationen über das Recycling dieses Produkts erhalten Sie von Ihrem Rathaus, Ihrer Müllabfuhr oder dem Geschäft, in dem Sie das Produkt gekauft haben. Dieses Elektrohaushaltsgerät ist entsprechend der EU-Richtlinie 2002/96/CE über Elektro- und Elektronik – Altgeräte (WEEE).



Het symbool op het product of op de verpakking wijst erop dat dit product niet als huishoudafval mag worden behandeld. Het moet echter naar een plaats worden gebracht waar elektrische en elektronische apparatuur wordt gerecycled. Als u ervoor zorgt dat dit product op de correcte manier wordt verwijderd, voorkomt u mogelijk voor mens en milieu negatieve gevolgen die zich zouden kunnen voordoen in geval van verkeerde afvalbehandeling. Voor meer details in verband met het recyclen van dit product, neemt u het best contact op met de gemeentelijke instanties, het bedrijf of de dienst belast met de verwijdering van huishoudafval of de winkel waar u het product hebt gekocht. Dit apparaat voldoet aan de Europese richtlijnen 2002/96/CE voor elektrische en elektronische afval (WEEE).

TO THE ATTENTION OF THE USER

It is designed to work in both suctioning mode, with outside evacuation, and filtering mode.



WARNING

Keep these instructions for use with the appliance. If the appliance should be sold or passed on to others, make sure that the instructions are passed on with it. We thank you for taking note of these suggestions before installing and using the appliance. They have been written for your personal safety and the safety of others.

SAFETY INSTRUCTIONS

These hoods have been designed for personal use in the home. The appliance must be used by adults. Make sure that children do not come into contact with the appliance and that they do not use it to play with. Make sure that children do not operate the controls.

- When the appliance is delivered, check the overall appearance of the packaging. Any remarks should be written on the delivery coupon, of which you keep a copy. Your appliance is designed for normal domestic use. It is not designed for commercial or industrial use, or for purposes other than those for which it was designed.
- Any consequences of or damage from incorrect installation or incorrect use of the appliance will not be covered by the manufacturer's guarantee.
- Do not ever change or try to change the characteristics of this unit. This would be a danger. Repairs must be performed only by an authorised specialist. Always disconnect the hood before carrying out cleaning or maintenance operations.
- Adequately ventilate the area in case the hood is activated simultaneously with other appliances powered from non-electrical sources

so that the hood does not ventilate these combustion fumes.

- It is prohibited to cook food over open flames or operate gas hobs without pots or pans on them under the hood itself (the flames sucked into the hood might damage the appliance).
- Deep frying under the appliance must be done under constant supervision as hot oils and fats may ignite. Respect the guidelines for cleaning and replacement of the filters. Accumulated deposits of grease are a fire hazard.
- This appliance must not be used over cook tops powered by wood or coal or in any case, over cook tops with power levels that could damage the appliance. Never use steam or high-pressure devices for cleaning your hood (regulations regarding electrical safety).
- Never use the hood without the grease filters.
- The minimum distance between the open down draft and the surface above it needs to be 400 mm.
- When moving the down draft, never place hands inside the operating radius of the pull-out carriage.

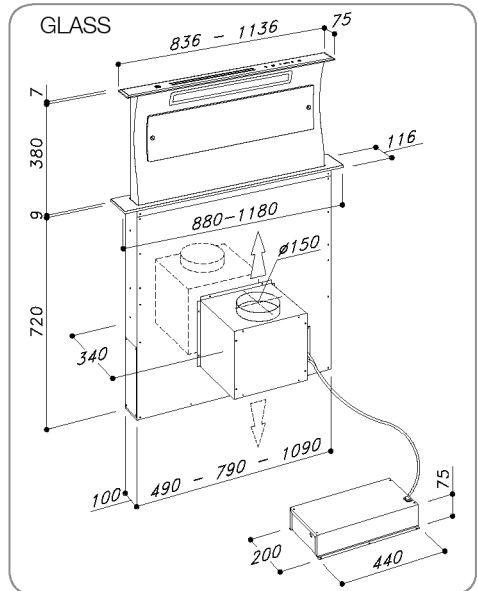
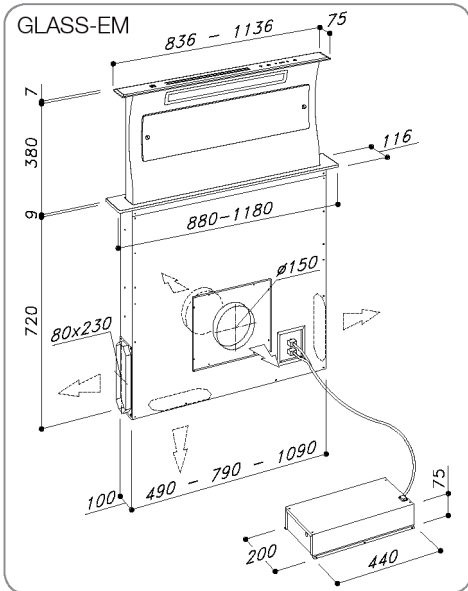
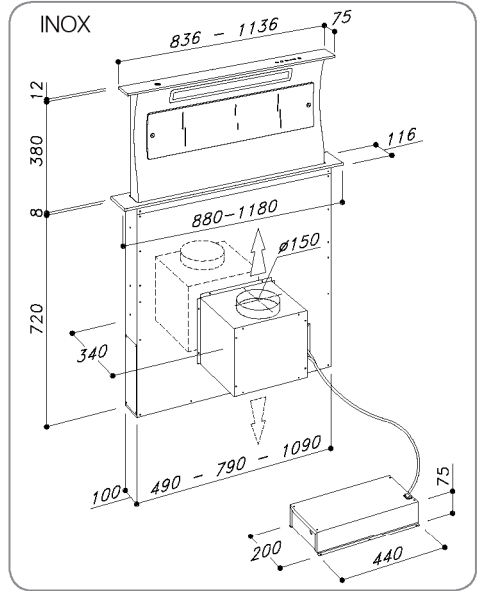
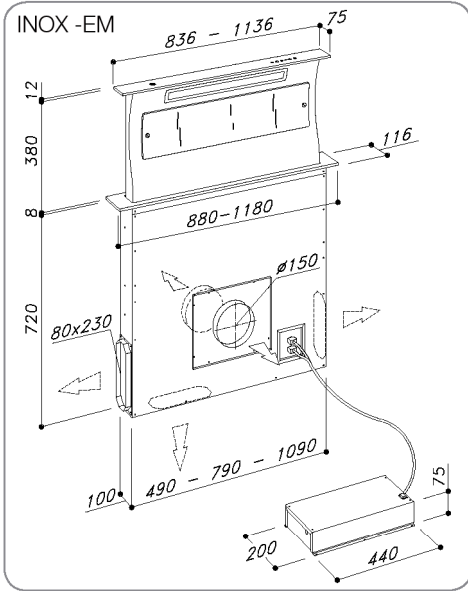
Constantly seeking to improve our products, we reserve the right to modify their technical, functional, or aesthetic characteristics as they evolve. In the case of the version with external motor, for normal downdraft operation, it is necessary to use an extraction unit (external motor) made by the same manufacturer.

The air collected must not be conveyed into a flue used for smoke or fumes from appliances powered by anything other than electricity (central heating systems, etc.). As far as concerns discharging air from the flue, respect the guidelines of the competent authorities.

CONTENTS

DESCRIPTION OF THE APPLIANCE	16
INSTALLING THE HOOD	17
Grease filter removal, mounting the carbon filter	18
Electrical hook up of the hood	19
HOW THE HOOD WORKS	20
CLEANING THE HOOD	22
OPERATIONAL ANOMALIES	23
AFTER SALES SERVICE.....	23

DESCRIPTION OF THE APPLIANCE



INSTALLING THE HOOD

1. Before starting the appliance installation, please check that all components are not damaged, in such a case contact your retailer and do not carry out installation. Before the installation of the Downdraft, please remove the security piece you can see in the picture (**Fig. 1-2-3-4**). Furthermore, please read carefully all of the following installation instructions.

- Use an exhausting pipe whose maximum length does not exceed 5 meters.
- Limit the no. of elbows in the piping , since each elbow reduces the aspiration efficiency of 1 linear meter. (Ex. : if you use no. 2 x 90 ° elbows, the length of piping l must not exceed 3 meters).
- Avoid abrupt direction changes.
- Use a 150 mm constant diameter pipe for the whole length.
- Use piping approved by standards in force.

The manufacturer will not be answerable for any capacity or noise problems caused by failure to comply with the above instructions and the warranty will be rendered null and void.

2. Before making the opening, check that there are no structural or other parts inside the cabinet, where the appliance is to be placed, which could hinder a proper installation. Check that the dimensions of the Downdraft and the ones of the cooktop are compatible with the cabinet so that the installation can be carried out properly.
3. Drill a 790x100 mm rectangular hole in the rear side of the cook-top for the 90 cm version and a 1090x100 mm hole for the 120 cm version. In the version with the motor already installed, remove the screws and the suctioning unit in order to insert the downdraft in the hole made. In case of the glass version, insert the downdraft in the cabinet, making sure that the

stainless steel edge under the glass adheres perfectly to the cabinet surface (**Fig. 5**). In case of the stainless steel version, apply the counter frame in the hole made, using a fixing sealer (**Fig. 6**) and then insert the downdraft in the cabinet in such a way that the edge and the counter frame are superimposed (**Fig. 7**).

4. Fix the downdraft inside the cabinet, using the special fixing brackets supplied with the product (**Fig. 8a**).

Insert the brackets in the lower side of the downdraft (**Fig. 8b**) 13b), in such a way that there is a 2 mm distance between the lower side of bracket and the bottom of the cabinet (**Fig. 8c**).

This distance will allow the traction to be positioned downwards of the product, at the moment of fixing, in order to have the stainless steel trim perfectly adhering with the work surface.

Before inserting the screws, please make sure that the appliance is perfectly perpendicular with the work surface.

5. In the version of the Downdraft equipped with motor, install the motor group adjusting the air evacuation direction as required, either downwards or upwards. After installing the motor, connect the air ducts (**Fig. 9**). The motor can be fitted either on the front or back side of the downdraft. After installing the motor, connect the air ducts. (**Fig. 10**).
6. For versions with outside motor, place the suction unit (outside motor) in a suitable area and fit the exhaust air flue as illustrated. Proceed to fit the air outlet ducts between the outside motor and the down draft. Select an air outlet from the five possibilities (**Fig. 11**) and fit the connection provided.

7. Place the metal box with the electronic components in an easily reachable area for eventual technical assistance operations. (**Fig. 12**), connecting the three connectors (9 pole connector for the actuator control and the safety control, 4 pole connector for neon lamp turn on and push-button connector).
8. For outside motors, connect the motor unit cable to the relevant connector on the electrical components box.
9. Power the appliance.

UTILISATION

This product is intended to extract fumes, fats, and steam from cooking. It is designed to work in both suctioning mode, with outside evacuation, and filtering mode.

Outside – discharge version

The cooker hood can be mounted in the version with outside discharge of suctioned air: in this case it is necessary to connect the exhausting channel to the outside (exhausting pipes are not supplied with the products.)

Check valve blockage



WARNING

Before connecting the air exhaust hose, make sure that the check valves are free to turn over freely.



For hoods with outside air exhaust, fit a check valve to prevent wind and returning air from entering.

Filtering mode

Filtering mode

In case fumes and vapour cannot be evacuated outside, the appliance can be used in the filtering mode.

Carbon filters are required for this type of hood.

Air recycled through the charcoal filters is reintroduced in to the kitchen, thanks to a duct conveying the air on one side of the cabinet (**Fig. 13**).



CAUTION

Installation must conform to the regulations in force regarding the ventilation of enclosed environments. In particular, discharged air must not be channelled into a conduit used for exhaust discharge or discharge from devices that operate with gas or other combustible materials. The use of unused conduits is not permissible without the approval of a qualified technician.

GREASE FILTER REMOVAL, MOUNTING THE CARBON FILTER

Grease filters and charcoal filters mounting and removal operations have to be carried out with the downdraft in the open position.

In order to do it, push the **ON/OFF** key.

Then remove the front panel by unscrewing the two front screws using a suitable tool (**Fig. 14**), remove the grease filter (**Fig. 15**) and then insert the charcoal filters (**Fig. 16**), making them slide down-wards.

The charcoal filters replacement should be carried out accordingly to how often the downdraft has been used, anyway once every 6 months.

After having replaced the filters, remount the front panel, paying special care in placing the two rubber rings between the panel and the screw.

ELECTRIAL HOOK UP OF THE HOOD



Place the metal box containing the electronic components at a distance of no less than 65 cm from gas-operated cook tops or in any case, 65 cm from the extraction point of the hood.



We recommend installing the metal box containing the electronic components at least 10 cm above floor level and at a suitable distance from all heat sources (e.g. oven sides or cook top).



This appliance is fitted with an H05 VVF 3 conductor, 0.75 mm² (neutral, phase, and ground) power cable. This can be hooked up to a 220 – 240 V mono-phase electrical network by way of a CEI 60083 regulation power socket that must remain accessible after installation, in conformity to installation regulations.

We decline all responsibility in case of accident caused by a lack of ground connection or incorrect ground connection. The appliance must be fed through a differential protection device (RCD), with a nominal residual current not exceeding 30mA. If the power cable is damaged, call the after-sales service to avoid any risk.



This appliance is fitted with an H05 VVF 3 conductor, 0.75 mm² (neutral, phase, and ground) power cable. This can be hooked up to a 220 – 240 V mono-phase electrical network by way of a CEI 60083 regulation power socket that must remain accessible

after installation, in conformity to installation regulations.



If the hood presents some form of anomaly, unplug the appliance or remove the fuse corresponding to the appliance's power line.

If the appliance has no plug or if the plug is not easily accessible, then a device needs to be fitted to cut it off from the mains electricity; this device must have an opening distance between contacts on all poles of at least 3 mm.

ELECTRIAL HOOK UP



This appliance conforms to the European Directives 2006/95/EC (Low Voltage Directive) and 2004/108/EC (Electromagnetic Compatibility).

When you install the appliance and carry out maintenance, it must be unplugged from the power source or the fuses must be disengaged or removed. Electrical hook up must be carried out before the appliance is installed in the cabinet.

Check that:

- the power source is sufficient,
- power cords are in good condition.
- The diameter of the cables conforms to installation regulations.

HOW THE HOOD WORKS

SDD4 MODEL STAINLESS STEEL AND GLASS VERSION (Fig. 17)

A: Light ON/OFF key

GLASS Version :

Lighting turns on and off independently from the extractable unit position.

STAINLESS STEEL Version:

Lighting turns on and off only with the extractable unit open.

By pushing this key with the extractable unit closed, the extractable unit will open and then the lighting will turn on.

B: ON/OFF key

With the appliance turned off:

The key starts the suctioning panel extraction and, when it is fully open, activates the 2nd speed of the motor.

With the suctioning panel open:

The key turns the motor off, turns the lighting off, if on, and draws back the suctioning panel.

C: (-) Key

It reduces the motor speed from the 4th speed to complete turn off, without closing the extractable unit.

D: 1 2 3 4 Indicators

- It shows the speed set by turning on only the related led.
- It signals the filters saturation by turning on all leds.
- It shows the calibration reset by flashing all of the leds.

E: (+) Key

It increases the motor speed from the 1st to the 4th one, without moving the suctioning panel.

F: Timer

After 10 minutes from its setup, it allows to stop the motor, close the extractable unit and turn the lights off, if on.

This function is active when signaled by the flashing of the "D" led related to the speed setup.

Push the key again to annul this function.

Other functions:

Automatic turn off:

After 4 hours of continuous working from the last setup, the appliance turns off and closes automatically.

Grease filters saturation:

After 30 hours of working, the speed indicators "D" will all flash simultaneously, signaling the grease filters saturation.

To reset this alarm, push the "TIMER" key when the downdraft is completely off and the extractable unit is closed.

Calibration:

The cooker-hood carries out its self-calibration every 3 complete cycles of its extractable unit.

By pushing the "TIMER" key 6 times consecutively (MAX break between one push and the other is 3 sec.) all the leds will flash and the calibration will be reset.

After the next 3 cycles the downdraft will carry out its self-calibration.



This operation has to be carried out by a specialized technician.

Stand-by:

When the extractable unit is closed and the light is switched off, the control panel, after 6 seconds, activates the Stand-by function, reducing the brightness of the leds.

This function can be stopped by pressing **ON/OFF** or **LIGHT** button.

Security system:


While the extractable unit is closing and there is an obstacle, the Downdraft rises again thanks to a security system.

CLEANING THE HOOD

Careful maintenance helps guarantee proper operation and good results from an appliance over time.



The hood must be unplugged from the electrical power source, both by unplugging the appliance from the socket as well as de-activating the breaker, before removing the metal filters. After cleaning, you must replace the metal filters as outlined in the instructions.

MAINTENANCE	HOW TO PROCEED?	ACCESSORY PRODUCTS TO USE
External surfaces and accessories	Do not use metallic scrubbers, abrasive products, or hard brushes.	To clean the external surfaces of the hood and the light housing screen use only commercially available household detergents diluted in water. Then rinse with clean water and dry with a soft cloth.
Charcoal filter with extractable unit open	After 30 hours of functioning, the downdraft will signal the grease filter saturation. The saturation is signaled by the blinking of the 4 central leds. For both models, the reset function is activated by pushing the timer key  while the extractable unit is open.	The grease filters can be washed by hand or in the dishwasher. These filters need to be cleaned on a regular basis because otherwise they may present a fire risk. Refit the grease filters and front panel, making sure that the panel is properly fitted at the sides so that it does not cause the downdraft to stop operating.
Active carbon filter	In the recirculation mode, you must substitute the active carbon filter periodically. To remove the carbon filter it is necessary first of all to remove the grease filter and then to pull the plastic key of the panel itself to remove it from its seating. Follow these steps in reverse order to insert the active carbon filter. Replace the used carbon filter on an average of every six months.	

OPERATIONAL ANOMALIES

SYMPTOM	SOLUTION
The hood does not work...	Check that: <ul style="list-style-type: none"> • There is not a power outage. • A specific speed has actually been selected. • The 9 pole connection is inserted properly. • The red reset key, found over the electric system box, is pushed. • Make sure that the wires are inserted properly in the 9 pole connection, in the connector itself (during the connection phase, an excessive pressure could bend the contacts).
The hood has low output...	Check that: <ul style="list-style-type: none"> • The motor speed selected is sufficient for the quantity of fumes steam present. • The kitchen is ventilated well enough to allow for air intake. • The charcoal filter is not worn (filtering version cooker hood). • The air outlet channel is free and compliant with paragraph 2. • The non-return valves of the suctioning unit are free to rotate.
The hood stops in the middle of operation.	Check that: <ul style="list-style-type: none"> • There is not a power outage. • The omnipolar device has not tripped.

AFTER SALES SERVICE

Any maintenance on your equipment should be undertaken by:

- Either your dealer,
- Or another qualified mechanic who is an authorized agent for the brand appliances.



When calling, please mention the appliance details (Type Fig. 18a and equipment Fig. 18b and production date Fig. 18c).

QThis information is mentioned on the rating label and the production date one placed on the lower side of the downdraft.

**IMMAGINI
IMAGES
IMAGES
AFBEELDINGEN
IMÁGENES
BILDER**

